



PlusPRO 5 Series ISO Rack/Tower

ON-LINE UPS

6000VA & 10000VA

(Embedded with Isolation Transformer)

PlusPRO 5 Series

6KVA/5.4KW & 10KVA/9KW



PlusPRO 5 Series



PlusPRO 5 Series ISO

Embedded with Isolation Transformer

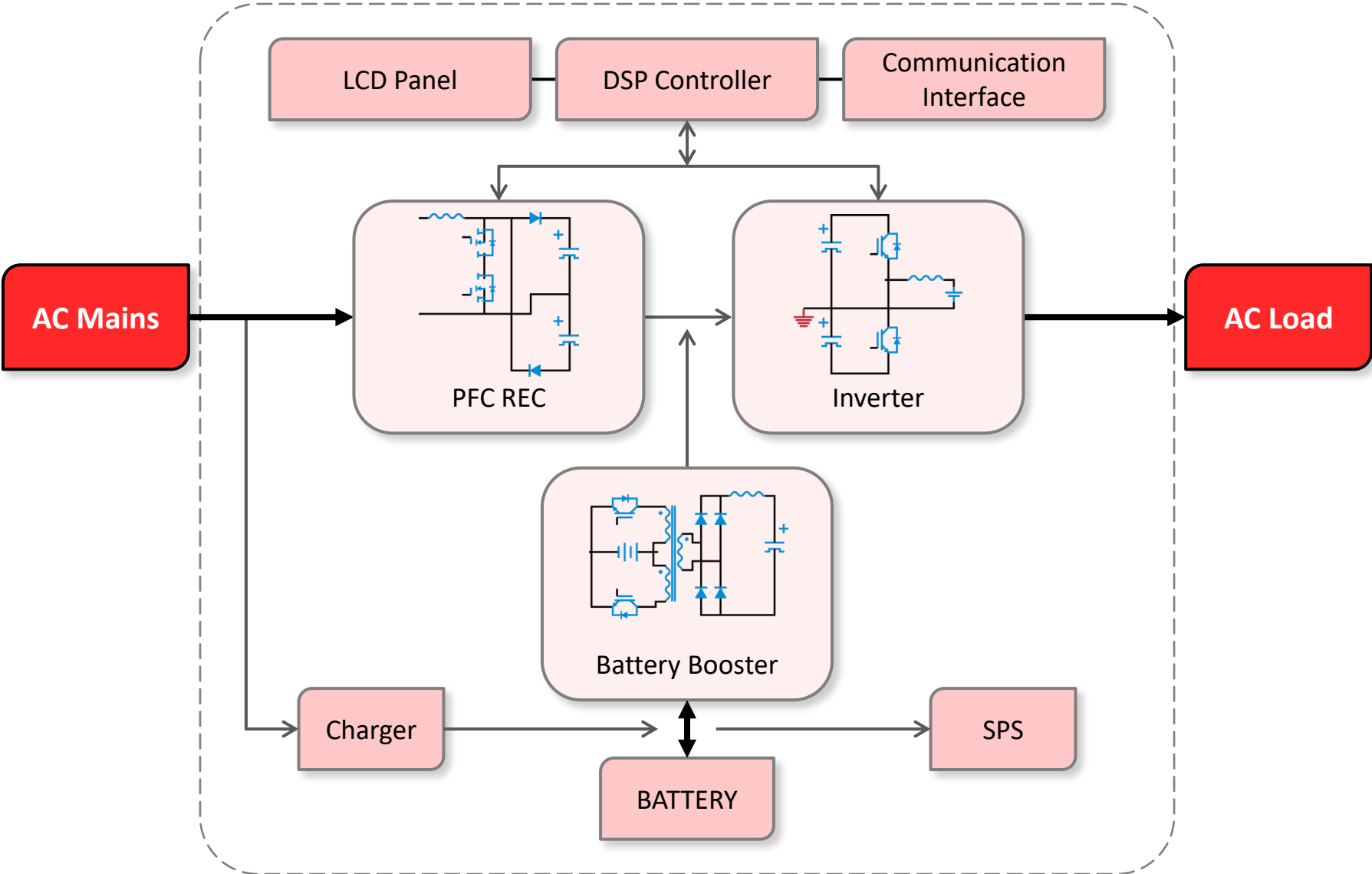
Product Introduction

PlusPRO 5 series 6KVA to 10KVA is a true double conversion online UPS with **pure sinewave output, zero transfer time** and **enhanced capacity**. With split-type design, it flexibly complies with users' demand no matter for standard or long time operation.

Featuring 6KVA, 10KVA integrated with **LCD display, Power Distribution Unit(PDU), high output power factor 0.9**, outstanding performance, optional isolation transformer box and optional external battery bank.



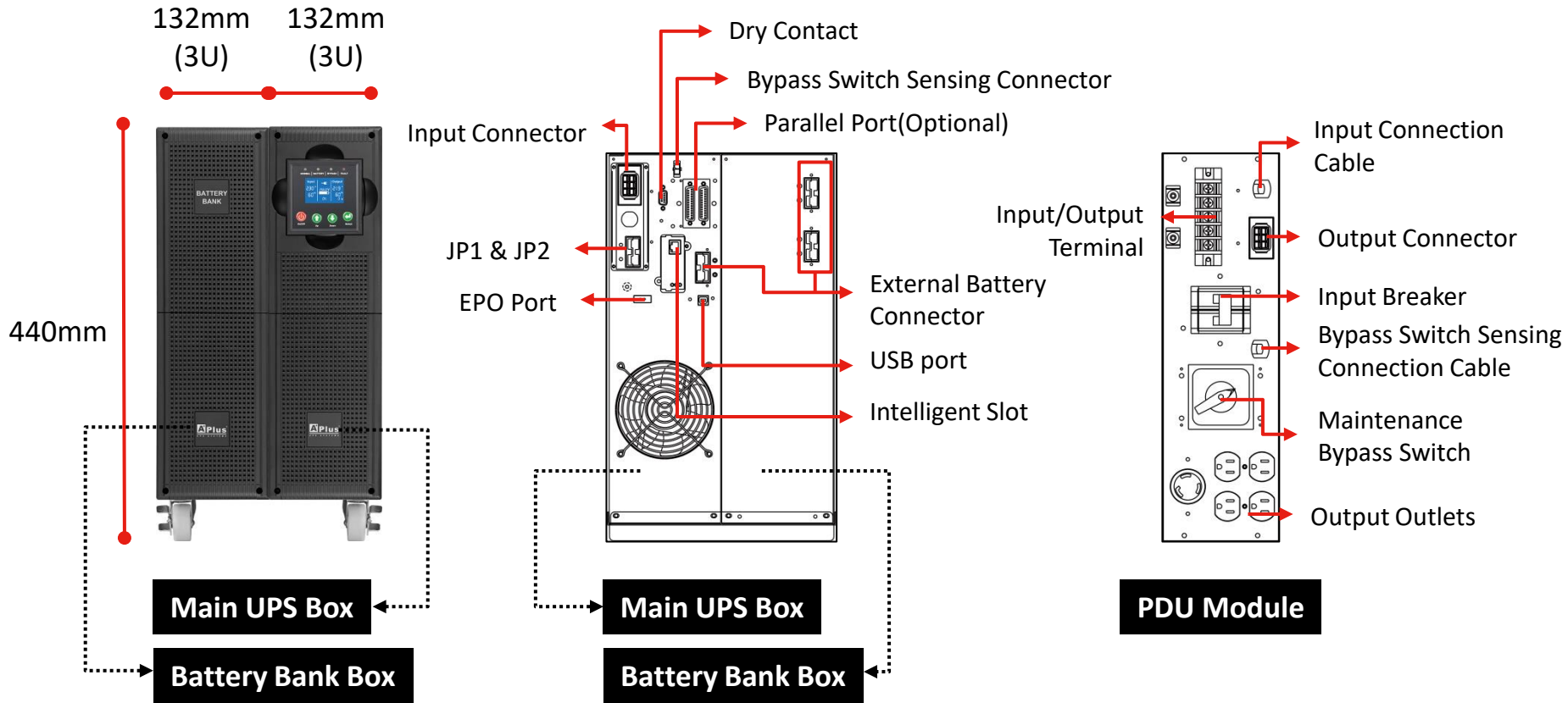
Basic Functional Module and Power Topology



Structural Diagram – PlusPRO 5-6K

Standard Model with PDU Module

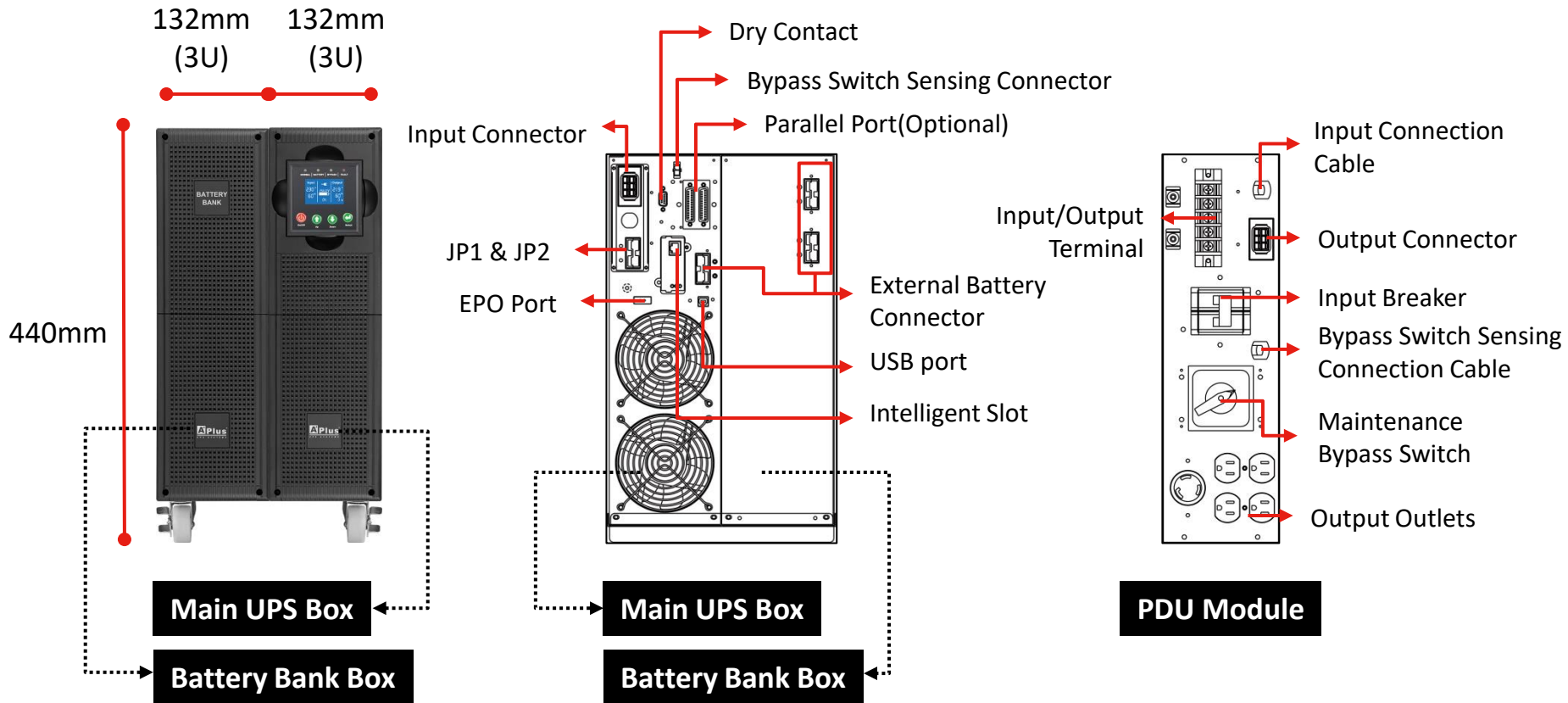
Demand Voltage for INPUT: 220/230/240Vac ; OUTPUT: 220/230/240Vac



Structural Diagram – PlusPRO 5-10K

Standard Model with PDU Module

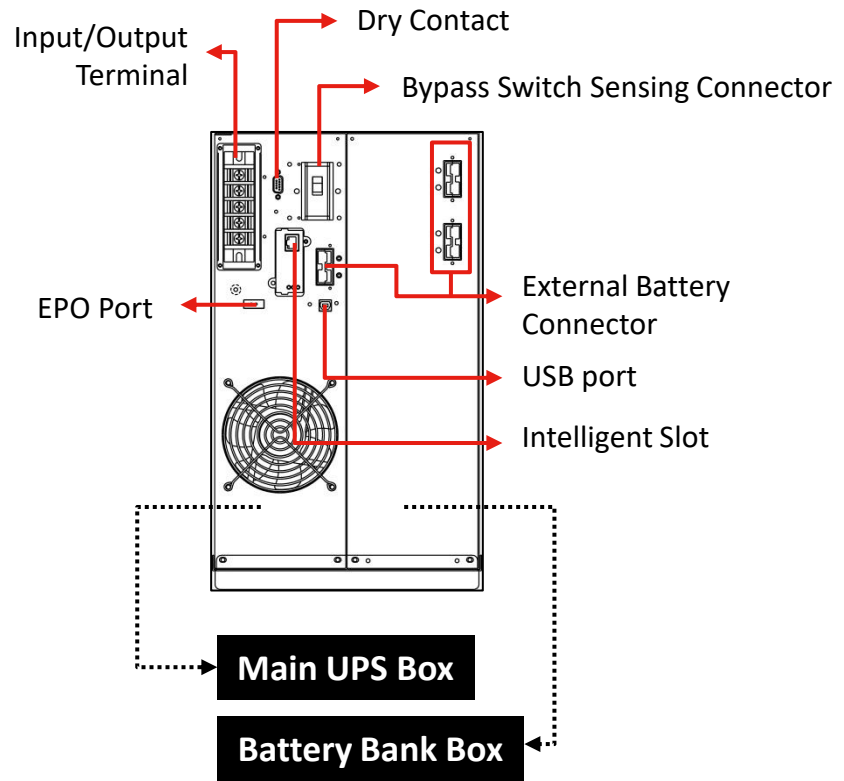
Demand Voltage for INPUT: 220/230/240Vac ; OUTPUT: 220/230/240Vac



Structural Diagram – PlusPRO 5-6K

Optional Model without PDU Module

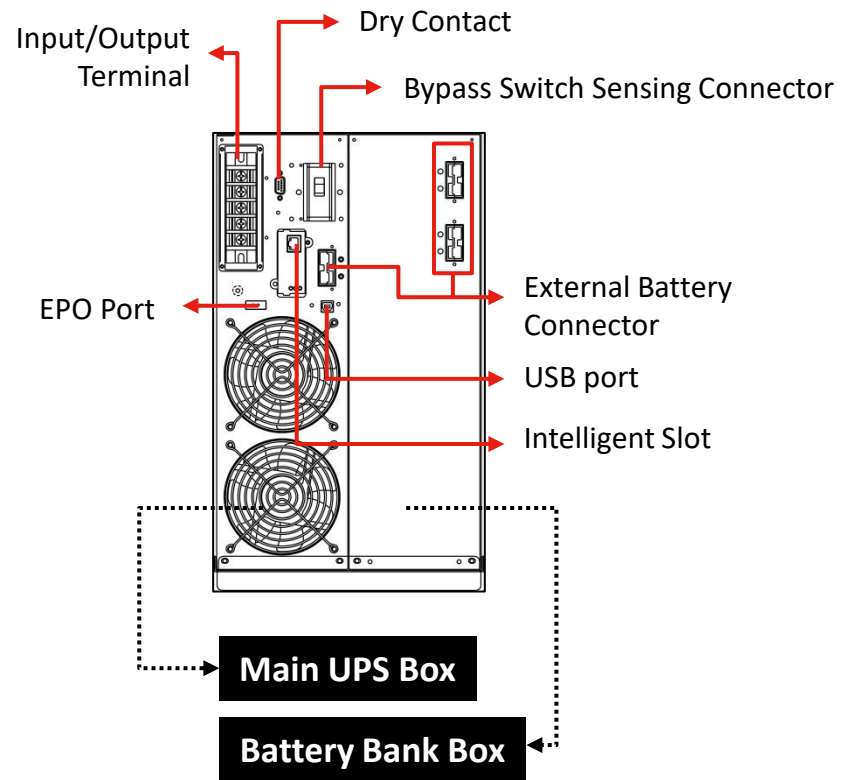
Demand Voltage for INPUT: 220/230/240Vac ; OUTPUT: 220/230/240Vac



Structural Diagram – PlusPRO 5-10K

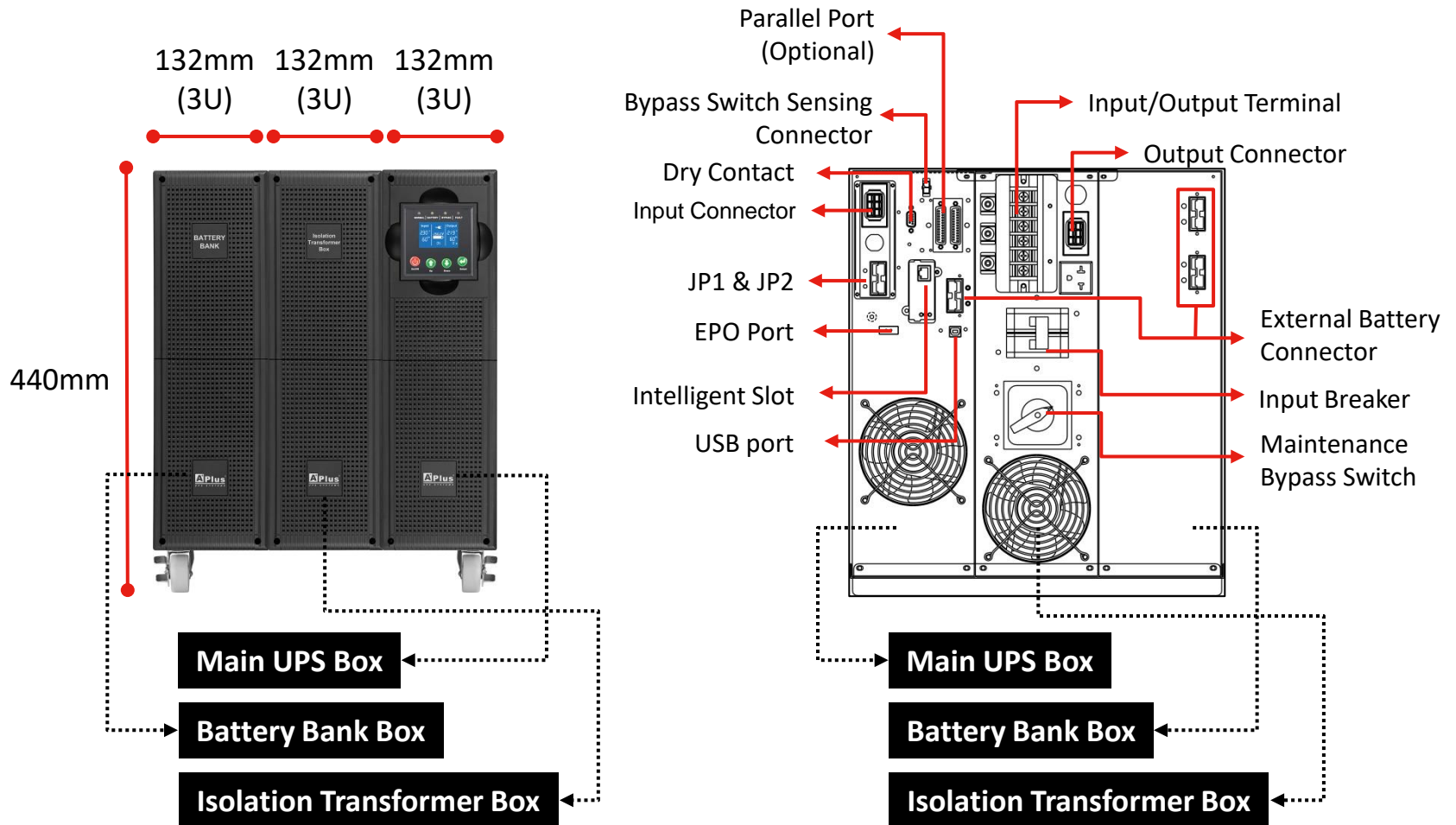
Optional Model without PDU Module

Demand Voltage for INPUT: 220/230/240Vac ; OUTPUT: 220/230/240Vac



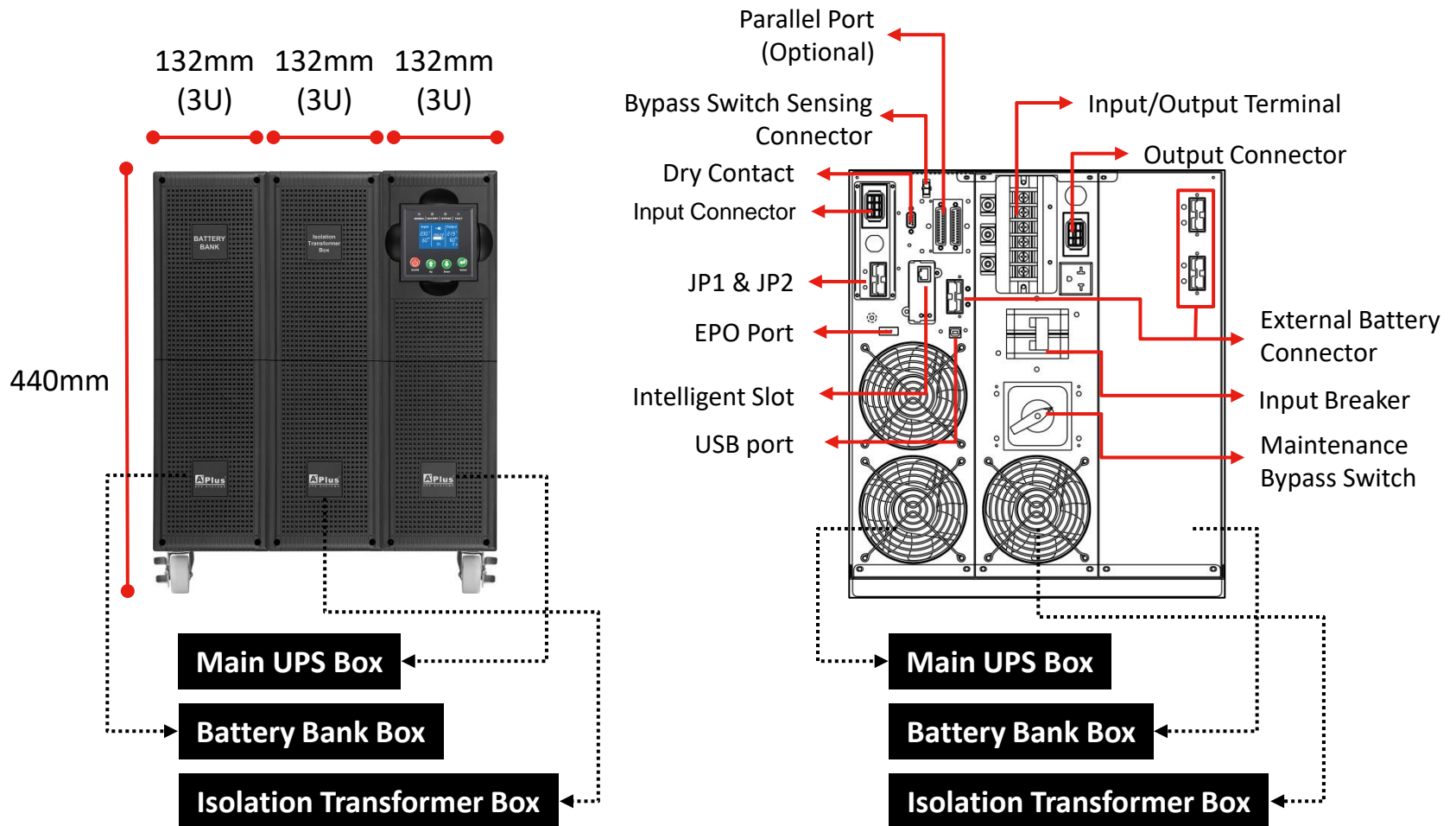
Structural Diagram – PlusPRO 5-6K-ISO

Demand Voltage for INPUT: 220/230/240Vac ;
OUTPUT: 110/220Vac or 115/230Vac or 120/240Vac



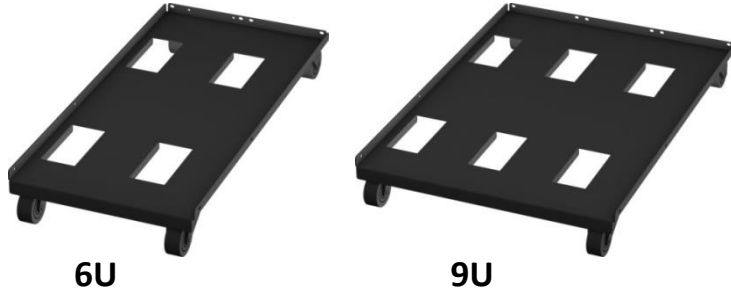
Structural Diagram – PlusPRO 5-10K-ISO

Demand Voltage for INPUT: 220/230/240Vac ;
OUTPUT: 110/220Vac or 115/230Vac or 120/240Vac



Accessories

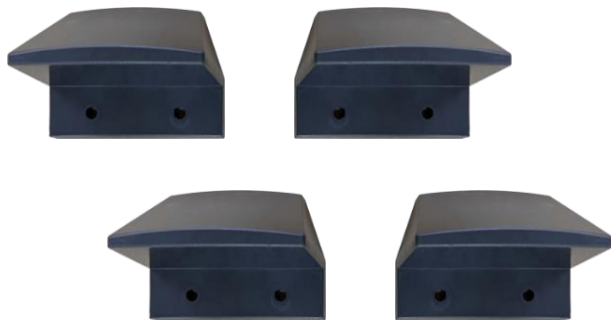
Tray Wheels



Mounting Bracket



Stabilizing Feet

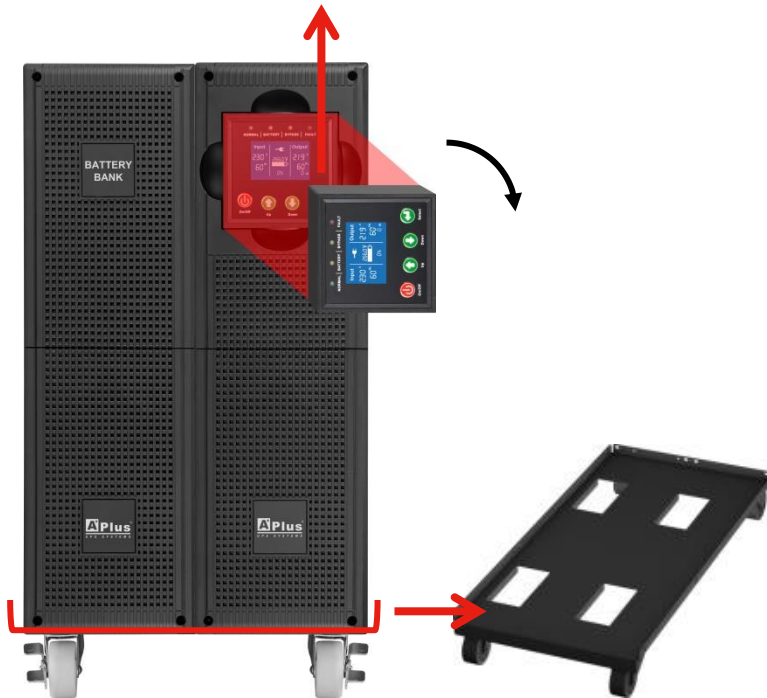


PDU



Tower/Rack Convertible

Rotate the screen 90 degrees



Tower Type

Remove the Tray Wheels



Rack Type

External Battery Bank

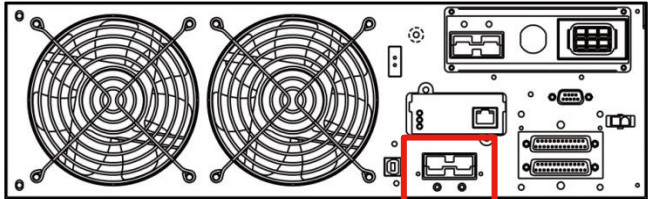


Tower Type



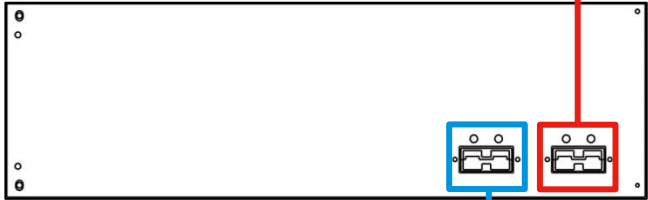
Rack Type

Main UPS Box



1

Battery Bank Box-1



2

Battery Bank Box-2



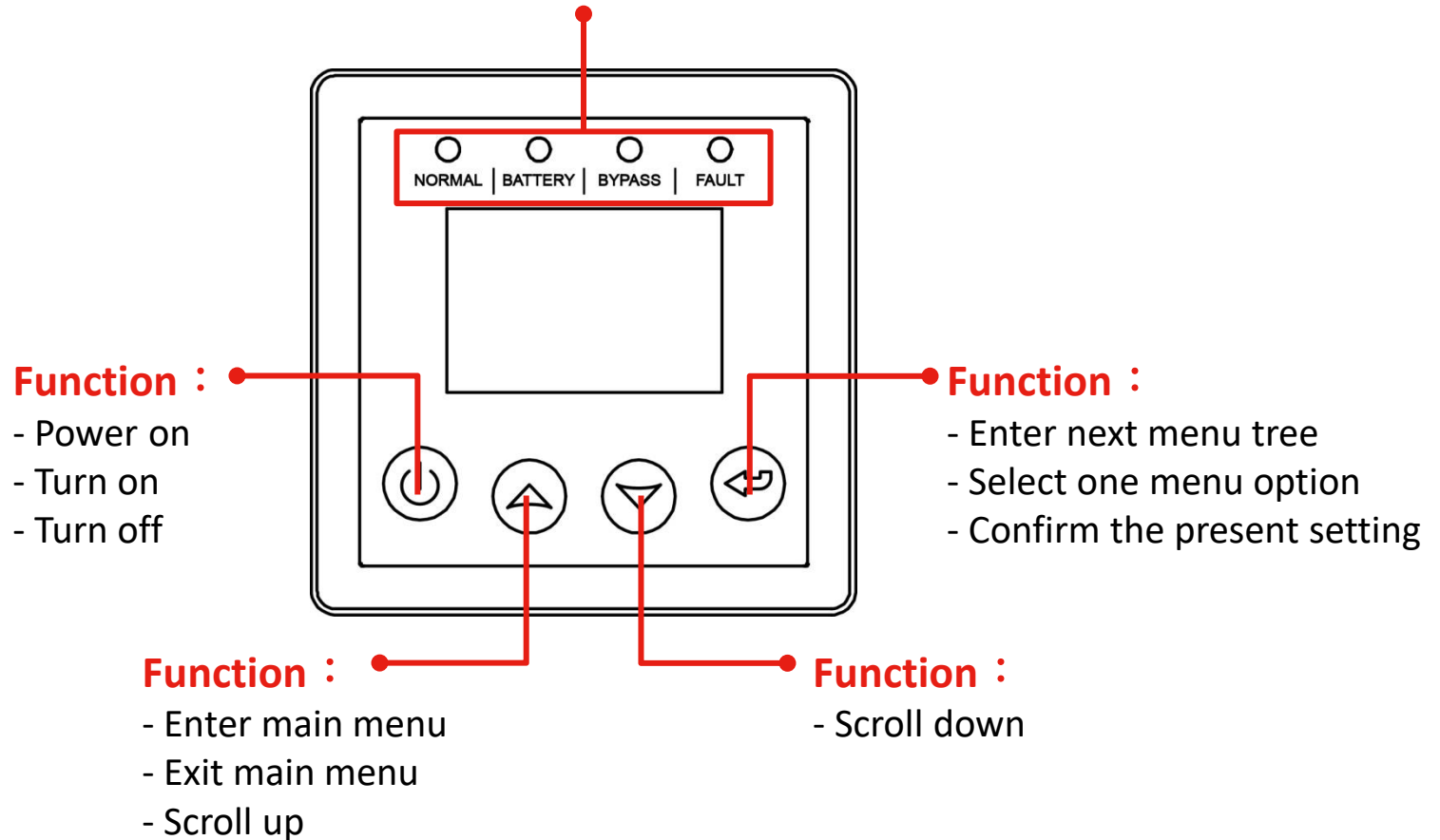
3

N

Control Panel Information

LED Definition :

Normal LED / Battery LED / Bypass LED / Fault LED

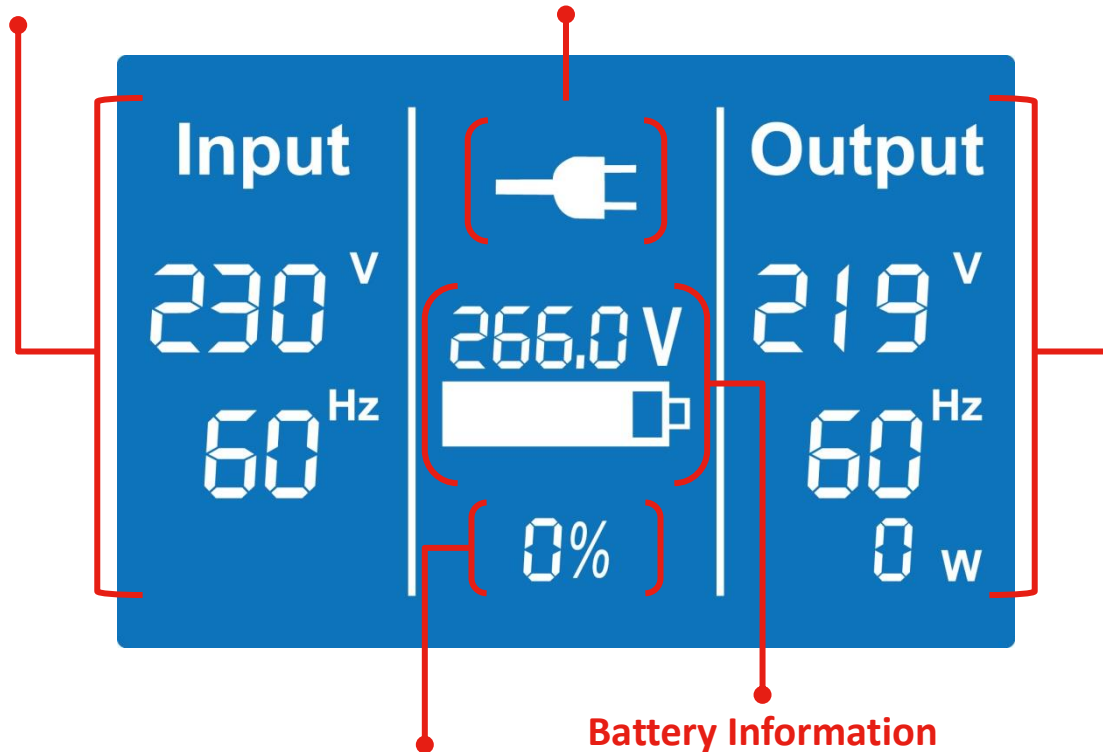


LCD Display

Utility Input Information

UPS Operating Status

UPS Output Information



Load Information

Battery Information

Features



Isolation transformer in split rack box with maintenance bypass switch (Optional)



N+X parallel redundancy and capacity expansion (Optional)



High performance true double conversion On Line UPS



Microprocessor control guarantees high reliability



High efficiency mode (ECO mode)



High efficiency mode (Line mode)



Rack/tower convertible design



Emergency Battery Back-up



Output power factor 0.9



Pure Sine wave Output



Modular design

Specifications -1

| MODEL | PlusPRO 5-6K-ISO | PlusPRO 5-10K-ISO |
|--------------------------|---|-------------------|
| CAPACITY | 6KVA/5.4KW | 10KVA/9KW |
| INPUT | | |
| Phase | 1 Phase 2 Wires with Ground | |
| Voltage | 220/230/240Vac | |
| Frequency | 50Hz or 60Hz (Auto-sensing) | |
| THDi | <5% with R full load | |
| OUTPUT | | |
| Phase | 1 Phase 3 Wires with Ground | |
| Voltage | 220/110Vac, 230/115Vac, or 240/120Vac (set via control panel) | |
| Voltage Regulation | +/-2% | |
| Frequency (Battery Mode) | 50Hz or 60Hz +/-0.05Hz | |
| Waveform | Pure Sinewave | |
| THD | <2% (linear load), <5% (non-linear load) | |
| Crest Ratio | 3 : 1 | |
| EFFICIENCY | | |
| To AC Mode | >92% at full load and battery fully charged | |
| To Battery Mode | >92% at full load and 12VDC/battery | |
| To ECO Mode | >96% at full load and battery fully charged | |

*Product specifications are subject to change without further notice.

Specifications -2

| MODEL | PlusPRO 5-6K-ISO | PlusPRO 5-10K-ISO |
|---------------------------|---|-------------------|
| BATTERY | | |
| Type | Maintenance free sealed lead-acid battery | |
| Voltage | 240VDC | |
| Capacity & Number | 12V/7AH*20pcs | 12V/9AH*20pcs |
| Recharge Time | 7 hours to 90% | 8 hours to 90% |
| TRANSFER TIME | | |
| Line Mode to Battery Mode | 0ms | |
| Inverter to Bypass | 0ms | |
| ECO Mode to Inverter | <10ms | |
| DISPLAY | | |
| LED Indicator | Normal (Green), Bypass (Yellow), Fault (Red), Battery (Yellow) | |
| LCD Display | Load level, Battery voltage, Battery mode, AC mode, Bypass mode information | |
| AUDIBLE ALARM | | |
| Battery Mode | Beeps Every 4 Seconds | |
| Low Battery | Sounding Every Second | |
| Overload | Sounding Twice Every Second | |
| Fault | Beeping Continuously | |

*Product specifications are subject to change without further notice.

Specifications -3

| MODEL | PlusPRO 5-6K-ISO | PlusPRO 5-10K-ISO |
|-------------------------|------------------------------------|-------------------|
| COMMUNICATIONS | | |
| Interface (Port) | USB Port (Dry Contact is optional) | |
| Intelligent Slot | Yes, but SNMP card is optional | |
| EPO | Emergency Power Off | |
| ENVIRONMENT | | |
| Operating Temperature | 0°C-40°C (32°F-104°F) | |
| Humidity | 0-95% (Non-condensing) | |
| Acoustic Noise | <50dB at 1M | |
| PHYSICAL | | |
| Format of Main UPS | Tower/Rack: 3U | |
| Main UPS (D*W*H) | 610*440*135mm | |
| Format of Isolation Box | Tower/Rack: 3U | |
| Isolation Box (D*W*H) | 610*440*135mm | |
| Format of Battery Box | Tower/Rack: 3U | |
| Battery Box (D*W*H) | 610*440*135mm | |

*Product specifications are subject to change without further notice.



APLUS POWER CORP.

Aplus, Reliable Power Brand Deserve Your Trust